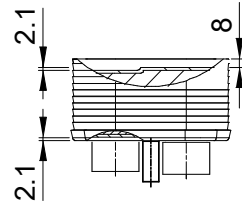
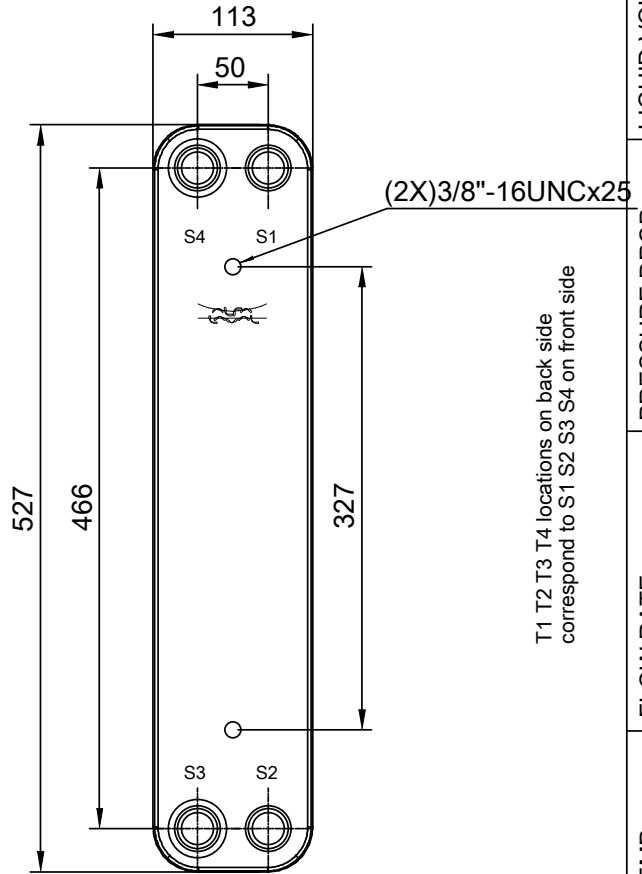
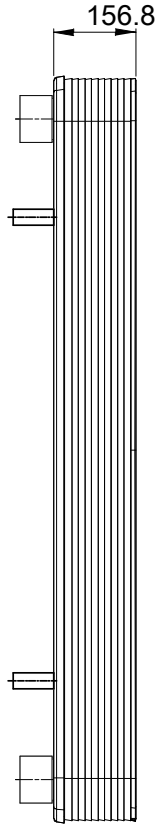
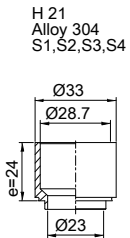


Note that all unique customer requirements (i.e tolerance) need to be verified thru Alfa Laval.



Frameplate is depressed 2.1 mm at connections S3 and S4 if holed.
Pressureplate is depressed 2.1 mm at connections T3 and T4 if holed.

HEATING SURFACE
NETWEIGHT 13.7 kg
OPERATING WEIGHT
PLATE MATERIAL Alloy 316
PLATE GROUPING 1*30H/1*31H

ALL DIMENSIONS IN MILLIMETERS

| SIDE | MEDIA | INLET | TEMP. | OUTLET | TEMP. | FLOW RATE | PRESSURE DROP | LIQUID VOL. |
|------|-------|-------|-------|--------|-------|-----------|---------------|----------------------|
| 1 | | | | | | | | 3.09 dm ³ |
| 2 | | | | | | | | 3.19 dm ³ |

PRESSURE VESSEL APPROVAL

UL/CRN

CBH60-62H S52 (3287103915)

www.alfalaval.com

CUSTOMER NAME / REF. NO.

COMPANY / REF.

TOTAL LENGTH 182.8 mm
TOTAL WIDTH 113.0 mm
TOTAL HEIGHT 527.0 mm

8/24/2017
REV 0